



2019 DAREDEVIL DIVISION RULES

(Modifications and additions are indicated in *red*).

NOTE: Speedway 51 reserves the right to alter rules in the best interest of competition. Weights and rules may be adjusted up or down to ensure the best racing experience for competitors and fans.

1/2/19

2019 DAREDEVIL DIVISION OPTION #1 RULES

(Modifications and additions are indicated in **Red**)

Car & Body Specifications

1. Any American made hard top sedan or lift back up to and **including** model year 2000 with wheelbase of 87" to 104" inclusive, **and must remain same length left and right. NOTE: Citation, Skylark, Olds Omega, Pontiac Phoenix, Chevrolet Cavalier allowed.** No sports cars. If in question, contact Speedway 51 SPEEDWAY 51 Tech Inspector. Ford Mustang/Mercury Capri cars will be allowed to use cam with hydraulic lifters maximum intake and exhaust valve lift to be .442".

NO LEAF SPRING CARS. 1994 OR NEWER 3RD GENERATION Mustangs will not be allowed

Minimum Total Maximum Left

Weight with Side Weight %

Driver with Driver

Make Motor

Ford Mustang 2.3 liter stock, except 2300 lbs. 54%

Mercury Capri cam must use hydraulic

Rear Wheel Drive lifters maximum intake and exhaust valve lift to be .442"

Ford Escort 1.6 liter or 1.9 liter **2300 lbs. 52%**

Mercury Lynx engine must be stock only *for year, make & model*

Front Wheel Drive

Ford Tempo 2.3 liter HSC 2350 lbs. 51%

Mercury Topaz engine must be stock only *for year, make & model*

Front Wheel Drive

Dodge 2.2 liter 2400 lbs. 52%

Front Wheel Drive engine must be stock only *for year, make & model*

Chevy Cavalier 2.0 liter or 2.2 liter 2350 lbs. **52%**

Pontiac Sunfire engine must be stock only *for year, make & model*

Front Wheel Drive

Pontiac Grand Am 2.4 liter **2350 lbs. 52%**

Pontiac Sunfire engine must be stock only *for year, make & model*

Dodge Neon 2.0 liter D.O.H.C. 2350 lbs. **52%**

Engine must be stock only *for year, make & model*

.040 MAXIMUM OVERBORE TO COMPENSATE FOR WEAR ALLOWED. MUST USE STOCK REPLACEMENT PISTONS.

Any 16 valve, D.O.H.C. cars will be allowed, minimum wheelbase of 87" to a maximum of 104".

Maximum engine size 1.6 liter allowed. NO variable valve timing type motors allowed.

Starting weight: 2350 lbs. Maximum left side weight with driver: 50%

ALL OTHER CURRENT SPEEDWAY 51 STREET STOCK RULES APPLY.

ANY MOTOR WITH OVER 150 HP WILL CARRY MINIMUM WEIGHT

2,500LBS., 50% LEFT SIDE WEIGHT. WEIGHTS MAY BE ADJUSTED AT ANY TIME DURING ANY EVENT.

Weights Subject to Change Without Notice

2. Stock bodies. **No altering of any sort.** Lowest point of the chassis of the car allowed is 6 inches, **including cross members and side skirts measured with driver in car. 5" rear spoiler allowed.**
3. Reinforcement bars may be positioned on either inside or outside of struts BUT NOT BOTH, and MAY NOT BE USED AS RUB RAILS.
4. No tubing of frames allowed. **The "WRC Automotive" front clip is approved for Mustang, made of .083 tubing. All sway bars must remain in stock location. Contact Speedway 51: WRC Automotive LLC – 802-685-4544 – email: wrcautomotive@yahoo.com.**
5. All glass except windshield must be removed with doors securely bolted or welded shut.
6. All struts and shocks must be in working order with equal rebound or may be considered illegal and result in disqualification and/or other penalties at the judgment of official in charge. **NO SPRING RUBBERS ALLOWED. Any spring allowed. No altering of chassis or suspension to fit springs to chassis. Coil binding will not be allowed.**
7.
 - a. Stock body parts or manufactured Speedway 51 body parts of make and year run, **Minimum 20 gauge tin- NO ALUMINUM.** Exception: Speedway Racing Bodies or Five Star make a plastic nosepiece and tail for Mustangs which has been approved for use by SPEEDWAY 51 Street Stock sanctioned events. **AR Bodies also makes a plastic nosepiece (part # - PN 25005Rx & part # - PN 25005Lx) for Mustangs which has also been approved for use by SPEEDWAY 51.**
 - b. Five Star manufactured body package # 915-101S is approved for use in SPEEDWAY 51 Street Stock sanctioned events, and **must be used in its entirety.**
8. All 4 stock brakes must work.
9. Battery must be under hood and securely fastened. It can be mounted to right front firewall.
10. All cars will be weighed with drivers (no substitutes).
11. Minimum two quick release hood pins for hood and trunk, and must remain hinged.

Transmission/Suspension

1. If drive shaft runs from motor in front to rear end in rear, it must have two 360° drive shaft loops made of 1/4" x 2" steel. Drive shaft must be painted white.
2. No alterations of flywheels, clutch, transmissions, rear ends. All components from stock issue, including stock springs and shocks. Gear ratio must remain stock. Automatic transmissions allowed.
3. Neoprene bushings will be allowed. **All engine mounts must remain stock for make and model.**
4. Sway bar must be stock, 1" maximum allowed, sway bar links must be equal length left to right.

5. All suspension parts must remain stock OEM for make and model, unless otherwise specified in rules. All steering components must remain stock for make and model.
6. **The right rear hub on the front wheel drive G.M. type cars MUST use 1989-91 Dodge Caravan hub and bearing assembly or if using stock wheel bearings a one piece wheel spacer will be mandatory.**

Tires & Wheels

1. **THERE WILL BE NO TRACK TIRE IN 2019**
2. Stock steel wheel or "aftermarket" 7" wide with **no less than 3 1/2"** back space to **no more than 4"** back space. Stock steel wheels or "aftermarket" 7" wide with 3 1/2" back space allowed on all 4 wheels.
3. *** 70 series tires allowed, minimum treadwear # is 320**
*** 60 series tires allowed, minimum treadwear # is 400**
*** Treadwear # MUST BE colored white or yellow. Mandatory.**
*** Used passenger car radial tires only. Street radials must be DOT tires. No high performance tires including V or Z rated or comparable performance tires. No recaps, or studded tires. All tires must be approved by Speedway 51 Tech Officials.**
*** Tires may be buffed. No tire softener allowed.**
*** All tires must stay within the intended fender wells of the car.**
*** 1" lugnuts are mandatory.**
*** No relief valves or bleeders.**
5. One (1) piece 1/8th right rear (RR) wheel spacer will be allowed on Front Wheel Drive cars only.
6. Maximum camber on right front for rear wheel drive will measure 1 inch maximum from tech gauge. Maximum camber on right front for front wheel drive option will measure 3/4 inch maximum from tech gauge. Maximum left front camber allowed 1" inch on rear wheel drive car. Any front wheel drive car is 1/2" inch maximum.
All cars must maintain 0° rear caster. **Front wheel drive cars will be allowed 1/4 inch camber right rear.** Camber may be adjusted by inspectors in the interest of safety and *competition*.
7. Recommended right side tire pressure: Maximum 35 psi – 40 psi absolute
Recommended left side tire pressure: Minimum 15 psi – 14 psi absolute

Safety

1. **Minimum 8 gallon fuel cell**, securely fastened in trunk, centered with PVC valve on vent line. A firewall must separate fuel cell from driver's compartment. *Fuel cell may not be lower than 12" from bottom of cell to ground.*
2. Full racing type cage mounted or braced to frame rail or plates connecting all four uprights to unibody required. Four curved bars in driver's door, three bars in passenger door. The driver's side rocker panel under the door bars must be mounted in safely. It may be mounted inside, above frame, tying the two driver's side roll cage posts together. All stress points must have gussets. A horizontal bar is required between the two front uprights at dashboard level. (See diagram). Minimum size of roll cage tubing shall be of 1-1/2" .095 wall thickness. **A Full roll cage is**

mandatory. Four uprights joined together at top, plus an "X" between rear of the back uprights. A horizontal bar between the two front uprights at dashboard level is required. A support for headrest or seatback extending to support back of head is mandatory. Splash guard is required behind head and shoulders. Also, on unibody cars, a plate or other approved method must be used to anchor cage to body.

3. Aluminum racing seat only, connected to roll cage in original position.
4. All cars **must** have aircraft type seat belts and shoulder harness.
5. An approved driver's window screen required. It must be attached at top and bottom front by seat locking device on 3/8" steel rod, top and bottom, or spring lock type allowed.
6. It is mandatory that a fire extinguisher with working sight gauge be attached within reach of driver and accessible to driver when strapped in. Extinguisher must be located in center of car so that it can be reached by safety crew from both left and right side. (No taping).
7. All cars must have safety cut-off switch on driver's right side crossbar. Must be within reach of the driver and accessible to safety crews from both sides of car.
8. Center of steering wheel must be padded. Rear seat cushions must be removed, rear seat shelf must remain as fire stop, *minimum 20 gauge tin*. (All flammable should be removed from car). **No aluminum interior will be allowed.**
9. Trunk lids, hoods, and inside of door panels ONLY may be removed.
10. Driver's fire retardant suits must be worn and gloves are highly recommended. The following are suggestions to aid in your safety: goggles, fire retardant socks, undergarments, racing type helmets - DOT or SNELL approved.
11. **All lead weight must be painted white with car number clearly identified, and mounted in approved location. No lead allowed beyond the center line of front or rear axles.**
12. Only one (1) aftermarket rear view mirror allowed, centered to windshield.

ENGINE

1. Stock (4 cylinder only) engine for make, year and model. No racing or sports car parts. No turbo-charged engines. **NO DODGE SHELBY'S OR GLH MOTORS - NO HIGH OUTPUT MOTORS.**
2. Stock cast iron exhaust manifold with 2" maximum *inside* diameter outlet from end to end at right side of car behind driver area. NO HEADERS ALLOWED.
3. Stock ignition. **E.C.M. can be confiscated at any time by track tech inspector.**
4. Must have radiator overflow tank.
5. Electric fans may be used.
6. **Must have air cleaner with element. No cold air intake systems allowed.**
7. **NO ANTIFREEZE.**

8. 2.3 Mustang option ONLY. **A Schoenfield header part #F238V will be allowed stock out of box and MUST remain a 2 inch exhaust directly after header, NO EXCEPTIONS.**

STOCK or OEM replacement pistons allowed for make and model
k pistons part # KB217/KB217-010/KB217-020/KB217-030/KB217-040
Wiseco piston #K120A3/K120A4 allowed.

Boring of cylinders allowed to .040 max.

STOCK connecting rods only allowed.

STOCK crankshafts only (no lightened or performance balanced cranks allowed)

Camshafts allowed other than STOCK will have max intake and exhaust lift of .442 max.

Any resurfacing of cylinder heads must have shim to bring back to tolerance. I.E. clean .010 from head .010 shim must be used.

Minimum cylinder head deck height 3.760" measured from valve cover rail to bottom of deck. .006" piston to engine block deck height.

Any measurement below .006" must be compensated with proper shim or gasket. .055" minimum head gasket thickness. Cometic head gaskets allowed.

NO high out put performance parts will be allowed unless stated in rules.
Only STOCK carburetors or fuel injection systems allowed.

Any violation of these rules will result in penalties according to the Speedway 51 rulebook.

Miscellaneous

1. **Driver must purchase Speedway 51 Street Stock driver license**, and must present proof of issuance of license. Only licensed members will be allowed in pits at reduced fee.
2. **NO SCANNERS OR RADIOS ALLOWED.**
3. **A RACECEIVER IS MANDATORY TO RACE.**
4. ***Any competitor wishing to participate in purse or point fund payouts must display Speedway 51 issued decals as required throughout the season.***

Numbers

1. Numbers will be assigned on the driver's license.
2. Numbers will be at least 18 inches high and three inches wide NEATLY lettered. It is recommended that all numbers be as large as possible to facilitate scoring. Numbers must be in contrast to car body color. There will be numbers on each side of the car. There will be a number on the roof lettered to be readable from the scoring booth (on the right hand side of the car). **A block style number is REQUIRED on right (passenger side) front windshield to read head-on for scoring and to aid in the line-up.** Metallic numbers are not allowed.

Daredevil Transponder Mounting Location

The transponder must be mounted in compliance with the diagrams provided below. It must be mounted 110" from the most forward part of the front bumper to the center of the transponder. The transponder must be attached to the roll bar "X" in roll cage or a mounting bracket off the "X" to accomplish the 110" measurement. It must be at the lowest point possible and centered through a minimum 2" hole in the floor board. Transponder must be mounted in a direct horizontal plane (see diagram #2) to the ground with label side down and lights point towards the front or rear of the car.

Mounting brackets may vary depending on car make/model, but the distance from the forward most part of the front bumper to the center of the transponder must be 110" and bracket must be mounted off "X" in roll cage

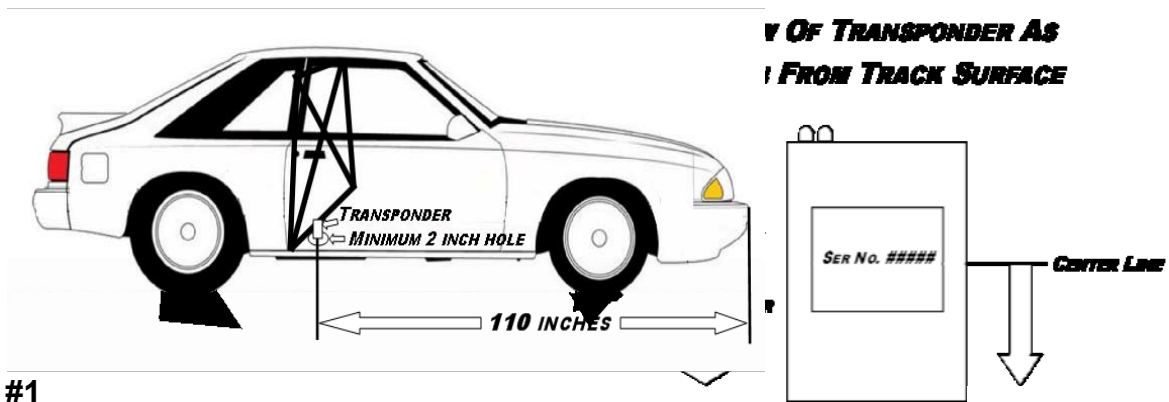


DIAGRAM #1

DIAGRAM #2

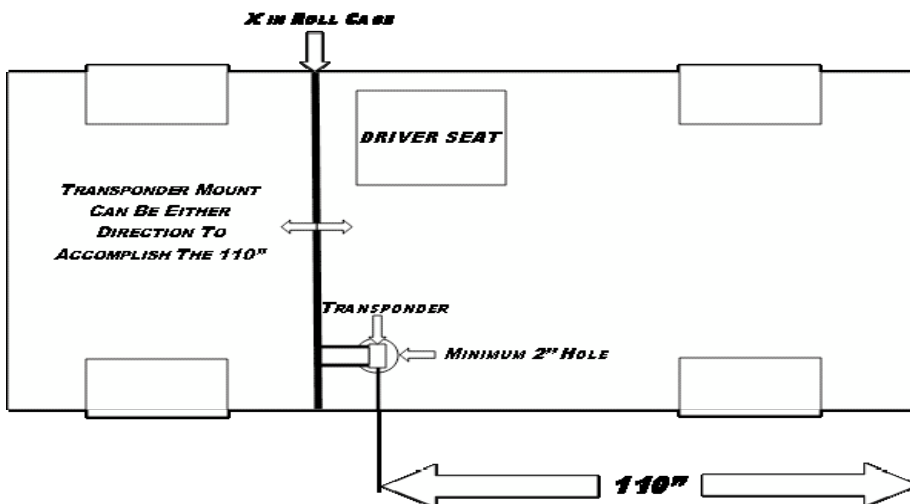
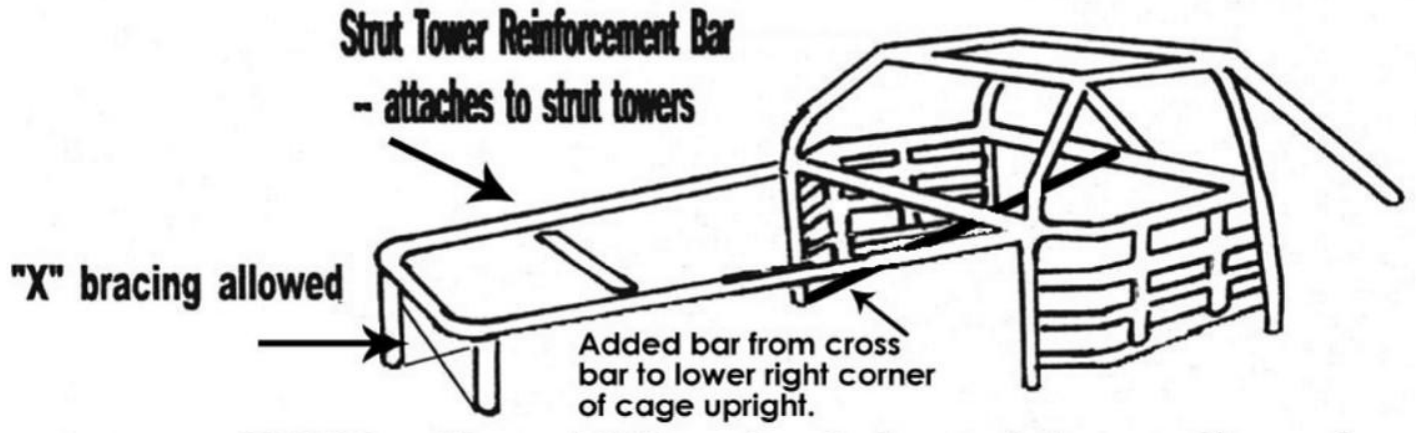


DIAGRAM #3

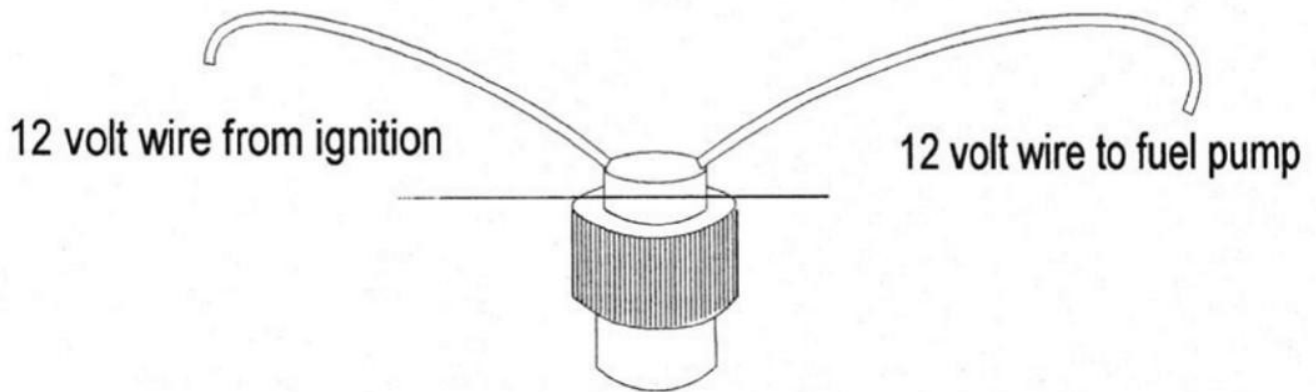


NOTE: No additional reinforced bars allowed.

Cage Configuration

Additional support of one piece of angle iron may be added to reinforce front snout. One piece on the left, one piece on the right from front of strut forward.

ELECTRIC FUEL PUMP PRESSURE SWITCH DETAIL



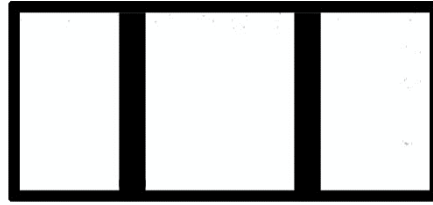
7 psi (approximately) oil pressure switch

When engine hits 7 psi oil pressure, switch makes contact and supplies power to fuel pump

Fuel Cell Protector



side view



back view

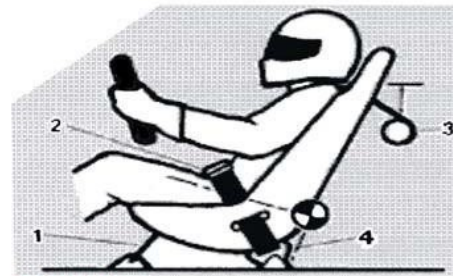
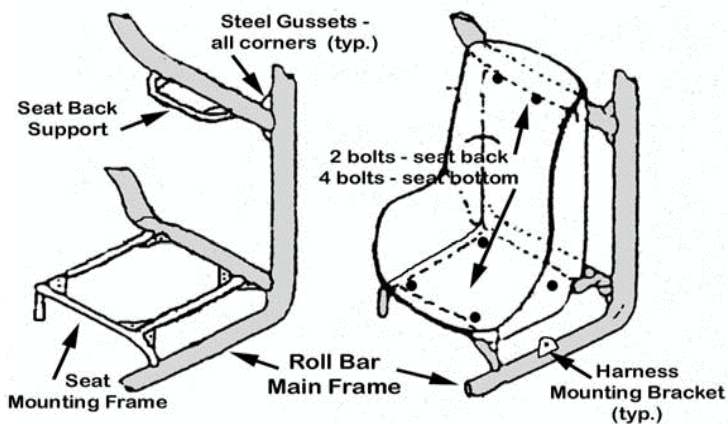


FIGURE 2

Recommended installation for seat / belts -

- 1) Anti-submarine belt should be anchored behind the chest line.
 - 2) Seat belts anchored apart, the width of driver, at an angle of 45 degrees to the floor of the car.
 - 3) Anchor shoulder straps at a point four inches below top of shoulder.
 - 4) Seat belt anchor should be positioned 2-1/2" forward of the driver's extended back line.
- All mounting brackets should be attached directly to the frame or chassis of car, and installed to limit the driver's body travel both upward and forward. **DO NOT MOUNT TO THE SHEET METAL FLOORBOARD.**



Basic Seat Installation

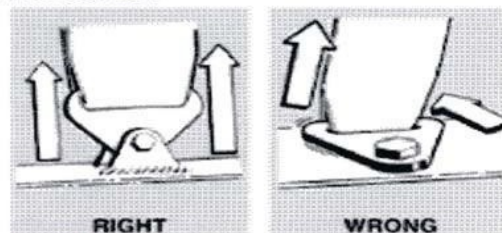


FIGURE 3 & 4

Mounting brackets should be installed at an angle that is compatible with the direction of pull on the webbing under full load.

Minimum specification for bolts and washers to attach the seat belts, harnesses and anti-submarine belt hardware are Grade 8.

IT IS THE RESPONSIBILITY OF THE COMPETITOR TO OBTAIN AND BECOME FAMILIAR WITH THE CURRENT RULES PERTAINING TO THE DIVISION IN WHICH HE/SHE CHOOSES TO PARTICIPATE.

ANY ITEM NOT COVERED IN THE SPEEDWAY 51 RULES SECTION MUST BE STOCK OR APPROVED IN WRITING BY SPEEDWAY 51 OFFICE. IF ANY ITEM BEING CONSIDERED BY COMPETITOR IN THIS DIVISION IS NOT ADDRESSED IN THESE RULES, COMPETITOR IS REQUIRED TO CONTACT SPEEDWAY 51 FOR A JUDGEMENT AS TO ACCEPTABILITY.

The rules and/or regulations set forth herein are designed to provide for the orderly conduct of racing events and to establish minimum acceptable requirements for such events. These rules shall govern the condition of all events, and by participating in these events all participants are deemed to have obtained, read, and understood a copy of the current rules, and complied with these rules. NO EXPRESS OR IMPLIED WARRANTY OF SAFETY SHALL RESULT FROM PUBLICATION OF OR COMPLIANCE WITH THESE RULES AND/OR REGULATIONS. They are intended as a guide for the conduct of the sport and are in no way a guarantee against injury or death to a participant, spectator, or official.